

CLINICAL SPOTLIGHT

Bookler® Perineal TMR System used in a Robotic Perineal Prostatectomy, without insufflation.

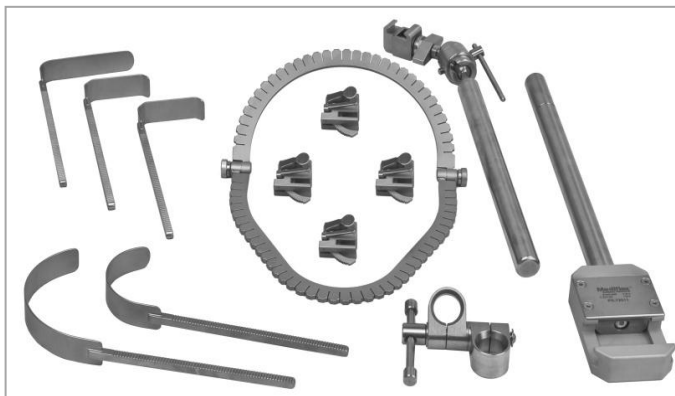
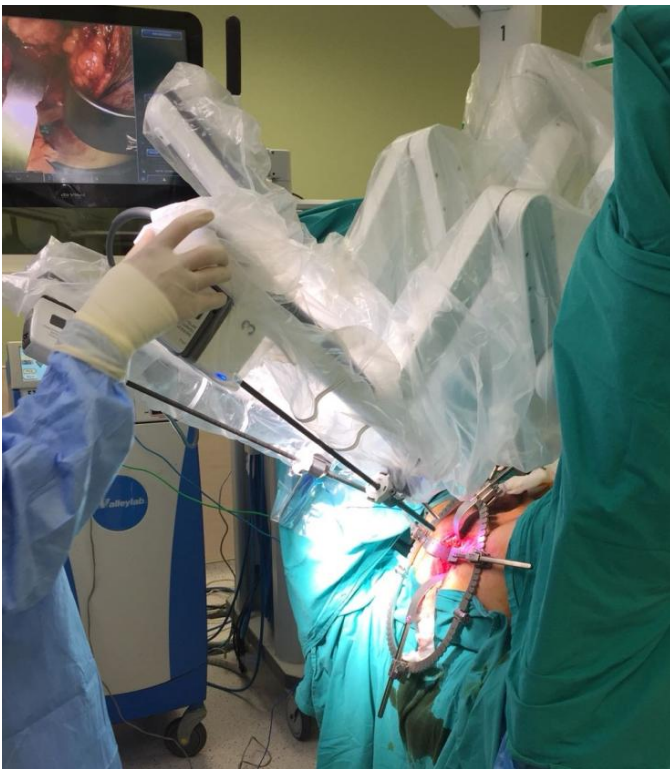
No interference with the robot arms due to:

- Table mounted system prevents slippage
- Single blade retraction possible – does not require counter-traction to stabilize the retractor ring
- Low profile due to flat retractor ring surface
- Hinged ring design can be angled to contour to anatomy

Greater control, reduced trauma: Bookler Ratchets and Retractor Blades offer precise click-by-click retraction adjustment - preventing over retraction of incision.

Procedure performed by Prof. Dr. Ali Ihsan Tasci and Ass. Prof. Dr. Abdülmuttalip Simsek at University Hospital Istanbul.

Another example of how Mediflex is REDEFINING RETRACTION!



Bookler® Perineal Surgery System (#72070)